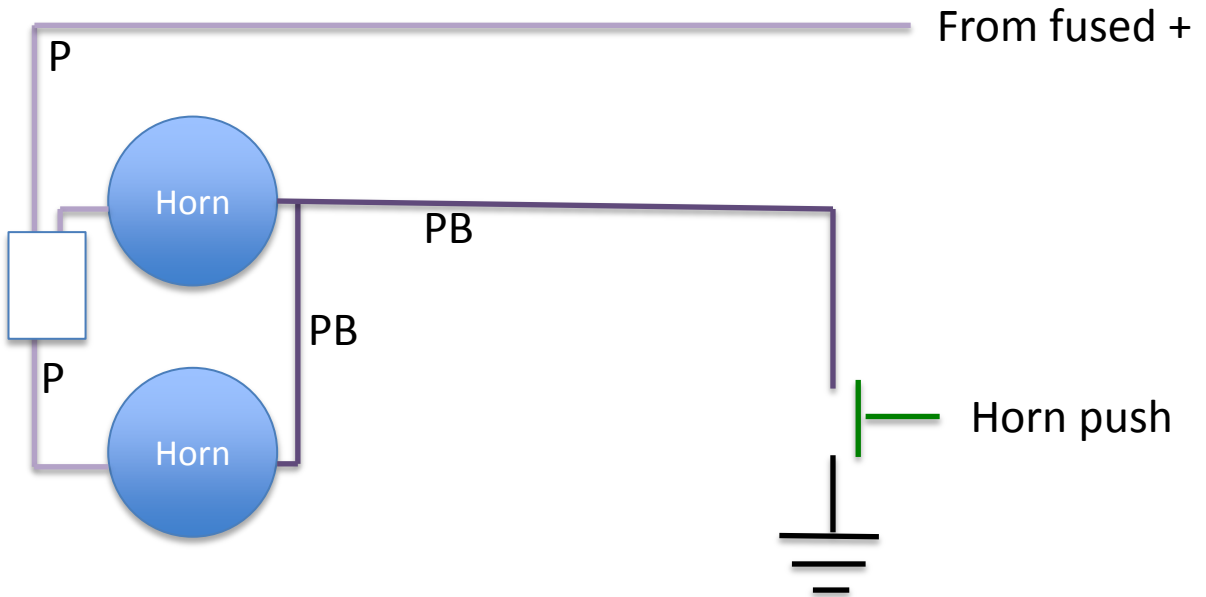
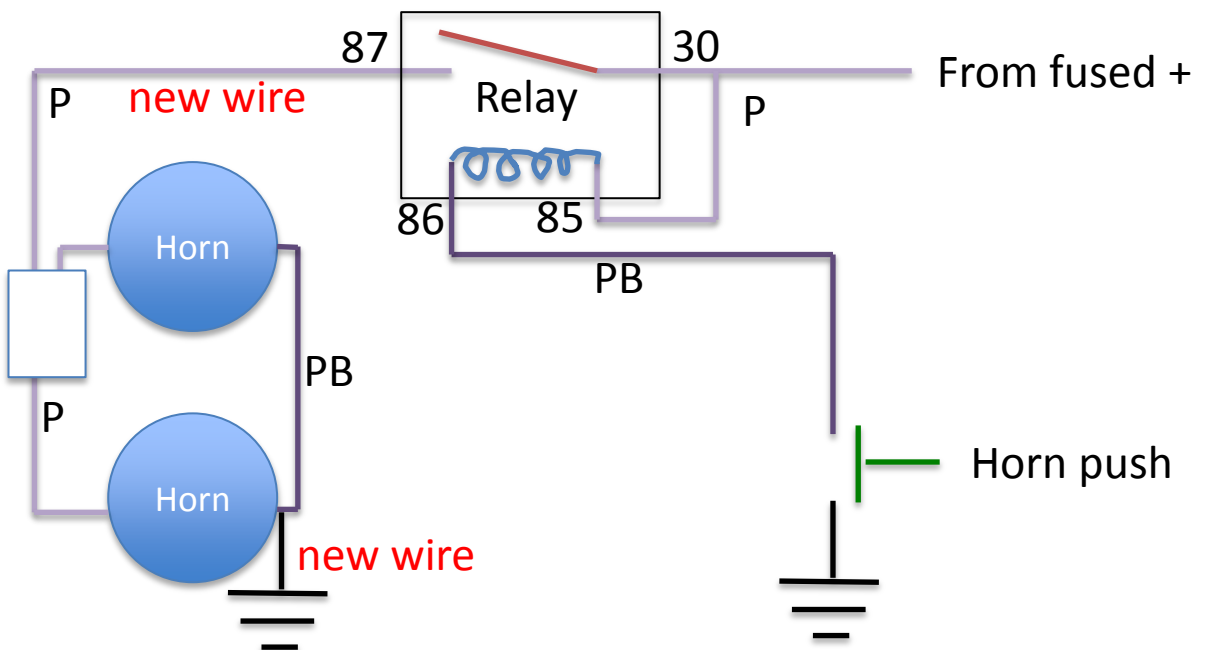


# MGB – Converting Horns to Relay

*Before (all hot when not honking)*



*After (hot only to right when not honking)*



Wiring colour code: P=purple, PB=purple/black